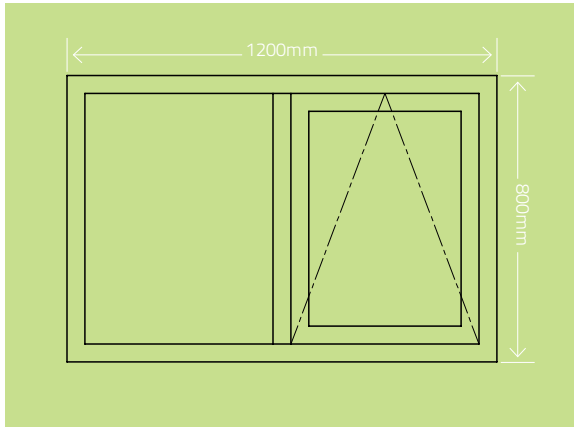
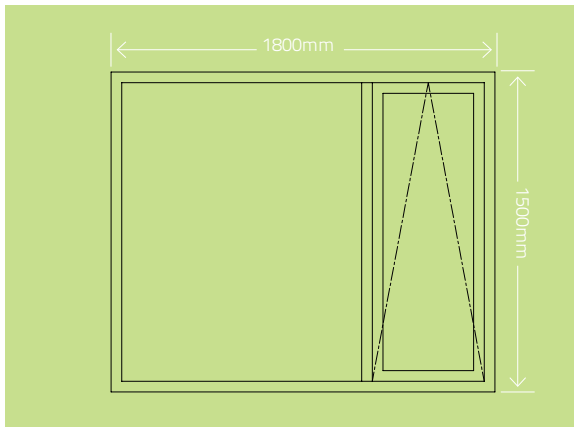


Double vs Triple Glazing - in thermal and non-thermal frames

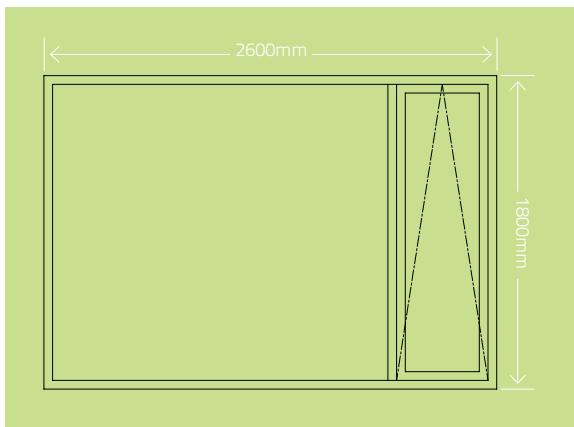
Performance data provided by Altus NZ Ltd using Viridian Glass



Glass	0.8m x 1.2m Window	Pacific Residential 35mm			Pacific Thermal 52mm			Pacific Thermal 60mm		
		Uw	Rw	WEERS	Uw	Rw	WEERS	Uw	Rw	WEERS
DOUBLE GLAZING 24mm	5/16/5 Clear/ Air/ Clear	4.070	0.246	1.5 stars	3.280	0.305	2.5 stars	2.980	0.336	3 stars
	Clear/ Argon/ Clear	4.000	0.250	1.5 stars	3.200	0.312	2.5 stars	2.900	0.345	3.5 stars
	Clear/ Argon/ Planitherm	3.110	0.322	3 stars	2.340	0.427	4.5 stars	1.850	0.540	5.5 stars
TRIPLE GLAZING 38mm	5/12/4/12/5 Clear/ 12mm Warm Edge Spacer Argon/ Clear/ 12mm Warm Edge Spacer Argon/ Clear	NA	NA	NA	2.540	0.394	4 stars	2.120	0.471	5 stars
	Clear/ 12mm Warm Edge Spacer Argon/ Clear/ 12mm Warm Edge Spacer Argon/ Planitherm	NA	NA	NA	2.130	0.470	5 stars	1.650	0.606	6 stars
	Clear/ 12mm Warm Edge Spacer Argon/ Planitherm/ 12mm Warm Edge Spacer Argon/ Planitherm	NA	NA	NA	1.910	0.523	5.5 stars	1.400	0.713	6 stars
TRIPLE GLAZING 46mm	5/16/4/16/5 Clear/ 16mm Warm Edge Spacer Argon/ Clear/ 16mm Warm Edge Spacer Argon/ Clear	NA	NA	NA	2.590	0.386	4 stars	2.180	0.458	5 stars
	Clear/ 16mm Warm Edge Spacer Argon/ Clear/ 16mm Warm Edge Spacer Argon/ Planitherm	NA	NA	NA	2.020	0.495	5.5 stars	1.530	0.655	6 stars
	Clear/ 16mm Warm Edge Spacer Argon/ Planitherm/ 16mm Warm Edge Spacer Argon/ Planitherm	NA	NA	NA	1.810	0.552	5.5 stars	1.290	0.778	6 stars



Glass	1.5m x 1.8m Window	Pacific Residential 35mm			Pacific Thermal 52mm			Pacific Thermal 60mm		
		Uw	Rw	WEERS	Uw	Rw	WEERS	Uw	Rw	WEERS
DOUBLE GLAZING 24mm	5/16/5 Clear/ Air/ Clear	3.550	0.282	2 stars	3.070	0.326	3 stars	2.980	0.336	3 stars
	Clear/ Argon/ Clear	3.470	0.289	2 stars	2.980	0.335	3 stars	2.900	0.345	3.5 stars
	Clear/ Argon/ Planitherm	2.400	0.416	4.5 stars	1.940	0.516	5.5 stars	1.850	0.540	5.5 stars
TRIPLE GLAZING 38mm	5/12/4/12/5 Clear/ 12mm Warm Edge Spacer Argon/ Clear/ 12mm Warm Edge Spacer Argon/ Clear	NA	NA	NA	2.210	0.453	5 stars	2.120	0.471	5 stars
	Clear/ 12mm Warm Edge Spacer Argon/ Clear/ 12mm Warm Edge Spacer Argon/ Planitherm	NA	NA	NA	1.740	0.576	6 stars	1.650	0.606	6 stars
	Clear/ 12mm Warm Edge Spacer Argon/ Planitherm/ 12mm Warm Edge Spacer Argon/ Planitherm	NA	NA	NA	1.490	0.673	6 stars	1.400	0.713	6 stars
TRIPLE GLAZING 46mm	5/16/4/16/5 Clear/ 16mm Warm Edge Spacer Argon/ Clear/ 16mm Warm Edge Spacer Argon/ Clear	NA	NA	NA	2.270	0.441	5 stars	2.180	0.458	5 stars
	Clear/ 16mm Warm Edge Spacer Argon/ Clear/ 16mm Warm Edge Spacer Argon/ Planitherm	NA	NA	NA	1.610	0.621	6 stars	1.530	0.655	6 stars
	Clear/ 16mm Warm Edge Spacer Argon/ Planitherm/ 16mm Warm Edge Spacer Argon/ Planitherm	NA	NA	NA	1.370	0.729	6 stars	1.290	0.778	6 stars



Glass	1.8m x 2.6m Window	Pacific Residential 35mm			Pacific Thermal 52mm			Pacific Thermal 60mm		
		Uw	Rw	WEERS	Uw	Rw	WEERS	Uw	Rw	WEERS
DOUBLE GLAZING 24mm	5/16/5 Clear/ Air/ Clear	3.330	0.301	2.5 stars	2.980	0.336	3 stars	2.910	0.343	3 stars
	Clear/ Argon/ Clear	3.240	0.309	2.5 stars	2.890	0.346	3.5 stars	2.820	0.354	3.5 stars
	Clear/ Argon/ Planitherm	2.100	0.477	5.5 stars	1.770	0.566	6 stars	1.700	0.587	6 stars
TRIPLE GLAZING 38mm	5/12/4/12/5 Clear/ 12mm Warm Edge Spacer Argon/ Clear/ 12mm Warm Edge Spacer Argon/ Clear	NA	NA	NA	2.070	0.483	5 stars	2.010	0.498	5.5 stars
	Clear/ 12mm Warm Edge Spacer Argon/ Clear/ 12mm Warm Edge Spacer Argon/ Planitherm	NA	NA	NA	1.670	0.636	6 stars	1.510	0.663	6 stars
	Clear/ 12mm Warm Edge Spacer Argon/ Planitherm/ 12mm Warm Edge Spacer Argon/ Planitherm	NA	NA	NA	1.310	0.764	6 stars	1.250	0.803	6 stars
TRIPLE GLAZING 46mm	5/16/4/16/5 Clear/ 16mm Warm Edge Spacer Argon/ Clear/ 16mm Warm Edge Spacer Argon/ Clear	NA	NA	NA	2.130	0.469	5 stars	2.070	0.484	5.5 stars
	Clear/ 16mm Warm Edge Spacer Argon/ Clear/ 16mm Warm Edge Spacer Argon/ Planitherm	NA	NA	NA	1.440	0.694	6 stars	1.380	0.726	6 stars
	Clear/ 16mm Warm Edge Spacer Argon/ Planitherm/ 16mm Warm Edge Spacer Argon/ Planitherm	NA	NA	NA	1.190	0.843	6 stars	1.120	0.890	6 stars